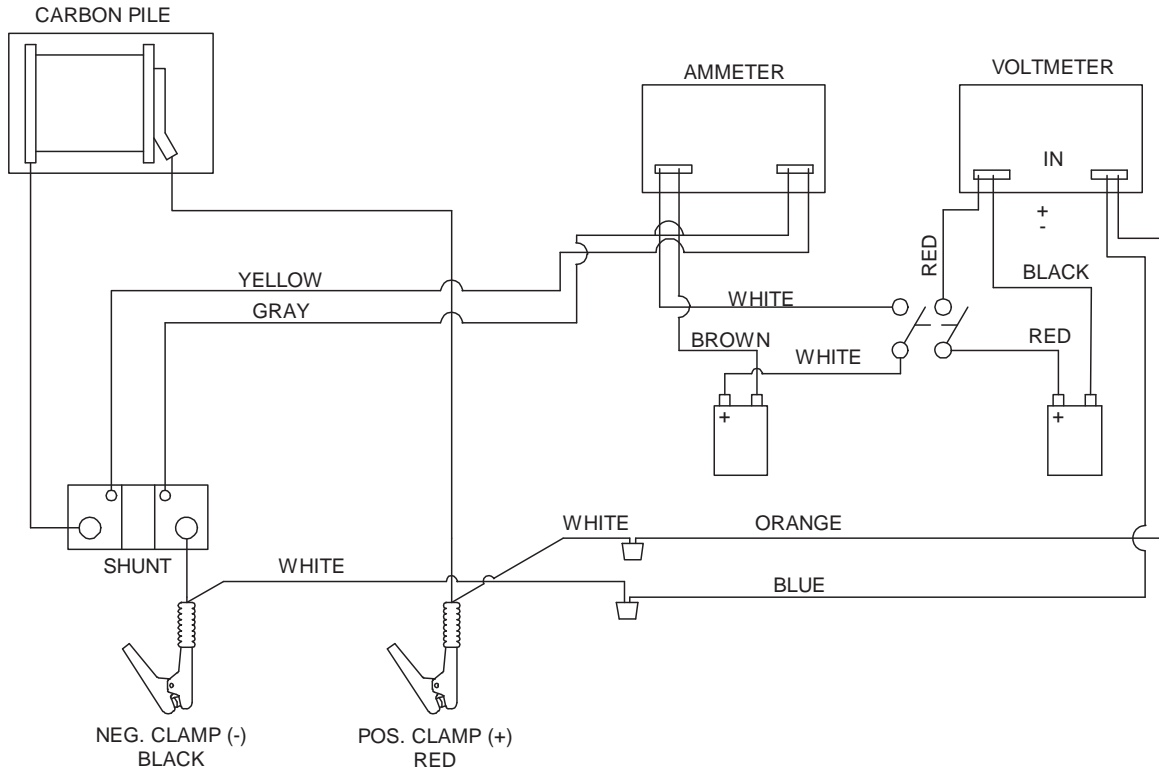


## 11. MAINTENANCE:

A 9 volt battery provides power for each of the LCD digital meters. To increase battery life, turn the meters off when the tester is not in use.

To replace the instrument batteries, turn the power switch to the OFF position. Remove the two screws on the battery cover in the back of the cabinet. Replace both batteries with fresh alkaline batteries and replace the cover.

### WIRING DIAGRAM



### MODEL 6039 PARTS LIST

Load Knob.....	610809	DC Cables.....	610311
Ammeter .....	610810	Carbon Stack .....	610816
Voltmeter.....	610811	Switch .....	610291
Carbon Pile Assy. ....	610812	Ceramic Tube.....	610817
Handle.....	610813	Battery Holder Assy. ....	611450